

PS2

PROTEIN SKIMMER

EIWEISSABSCHÄUMER
ÉCUMOIRE DE PROTÉINES
RECOGEDOR DE PROTEÍNAS

FLUVAL SEA

MINI

20 - 80L | FOR MARINE & REEF AQUARIUMS
5-20 US GAL



**INSTRUCTION MANUAL
BEDIENUNGSANLEITUNG
MODE D'EMPLOI
MANUAL DE INSTRUCCIONES**

TABLE OF CONTENTS • INHALTSVERZEICHNIS • TABLE DES MATIÈRES • ÍNDICE

INSTRUCTIONS (ENGLISH)	3
ANLEITUNG (DEUTSCH).....	9
INSTRUCTIONS (FRANCAIS)	15
INSTRUCCIONES (ESPAÑOL).....	21
REPLACEMENT PARTS • ERSATZTEILE PIÈCES DE RECHANGE • PIEZAS DE REPUESTO	27

IMPORTANT SAFETY INSTRUCTIONS

WARNING - To guard against injury, basic safety precautions should be observed, including the following.

1. READ AND FOLLOW ALL SAFETY INSTRUCTIONS

And all important notices on the appliance before using. Failure to do so may result in damage to the unit.

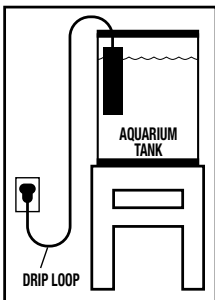
2. DANGER – To avoid possible electric shock, special care should be taken since water is employed in the use of aquarium equipment. For each of the following situations, do not attempt repairs yourself; return the appliance to an authorized service facility for service or discard the appliance.

A. If the appliance shows any sign of abnormal water leakage or if RCD (or GFCI- Ground Fault Current Interrupter) switches off disconnect the power supply cord from mains and remove the skimmer from the water.

B. Carefully examine the appliance after installation. It should not be plugged if there is water on parts not intended to be wet.

C. Do not operate any appliance if it has a damaged cord or plug, or if it is malfunctioning or it is dropped or damaged in any manner. The power cord of this appliance cannot be replaced; if the cord is damaged, the appliance should be discarded. Never cut the cord.

D. To avoid the possibility of the appliance plug or receptacle getting wet, position the appliance to one side of a wall mounted receptacle to prevent water from dripping onto the receptacle or plug. A “drip loop” (see illustration 1) should be arranged by the user for the cord connecting appliance to a receptacle. The “drip loop” is that part of the cord below the level of the receptacle or the connector if an extension cord is used, to prevent water from travelling along the cord and coming in contact with the receptacle. If the plug or receptacle does get wet, DON'T unplug the cord. Disconnect the fuse or circuit breaker that supplies power to the appliance. Then unplug and examine for presence of water in receptacle.



3. WARNING – Close supervision is necessary when any appliance is used by or near children. This appliance is not intended for use by persons (including children) with reduced physical, sensory or mental capabilities, or lack of experience and knowledge, unless they have been given supervision or instruction concerning use of the appliance by a person responsible for their safety. Children should be supervised to ensure that they do not play with the appliance.

4. To avoid injury, do not touch moving parts or hot parts.

5. CAUTION – Always unplug or disconnect all appliances in the aquarium from electricity supply before placing hands in water, before putting on or taking off parts and whilst the equipment is being installed, maintained or handled. When inserting or removing the skimmer from the water, always pull out the main electricity plug. Never yank cord to pull plug from outlet. Grasp the plug and pull to disconnect. Always unplug an appliance from an outlet when not in use.

6. This is an aquarium skimmer. Do not use this skimmer for other than intended use (i.e.: do not use in swimming pools, bathrooms, etc.). The use of attachments not recommended or sold by the appliance manufacturer may cause an unsafe condition.

- This skimmer is suitable for use in water temperatures up to 35 °C.

- Do not use this skimmer with flammable or drinkable liquids.

7. This skimmer is suitable for **INDOOR/HOUSEHOLD** use only. Do not install or store the appliance where it will be exposed to the weather or to temperatures below freezing.

8. Make sure that the skimmer is securely installed before operating it. Do not allow skimmer to run dry. The skimmer must be immersed in water completely. This skimmer must never operate outside of water.

9. WARNING – For North American market only. This appliance has a polarized plug (one blade is wider than the other). As a safety feature, this plug will fit in a polarized socket only one way. If the plug does not fit fully in the socket, reverse the plug. If it still does not fit, contact a qualified electrician. Never use with an extension cord unless plug can be fully inserted. Do not attempt to defeat this safety feature.

10. If an extension cord is necessary, a cord with proper rating should be used. A cord rated for less amperes or watts than the appliance rating may overheat. Care should be taken to arrange the cord so that it will not be tripped over or pulled. The connection should be carried out by a qualified electrician.

11. SAVE THESE INSTRUCTIONS

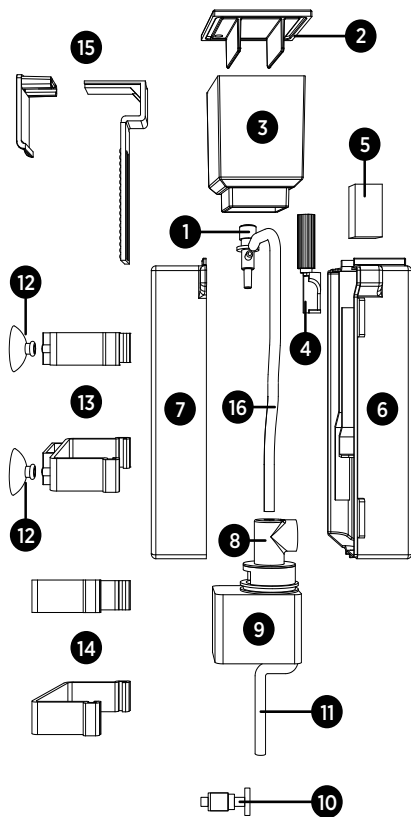
For the complete use and understanding of this product it is recommended that this manual is thoroughly read and understood. Failure to do so may result in damage to this product.

INTRODUCTION

The Fluval Sea Mini Protein Skimmer is for use in aquariums with a capacity of 20-80 L (5-20 US Gal.). The protein skimmer helps to remove dissolved organic compounds, including proteins and amino acids, before they have a chance to break down into dangerous nitrogenous waste, which can be harmful to aquarium inhabitants. The results: increased oxygenation and a healthy aquarium. The Fluval Sea Mini Protein Skimmer is designed to be easily taken apart for quick and simple maintenance. (Note: this skimmer is not meant to serve as a filter system replacement for marine and reef aquariums).

PARTS DESCRIPTION

1. Air Intake Valve
2. Collection Cup Lid
3. Collection Cup
4. Water Level Control Valve
5. Foam Bubble Trap
6. Front Housing
7. Rear Housing
8. Impeller Cover
9. Pump
10. Impeller
11. Power Cord
12. Suction Cups (4)
13. Housing Clip for mounting options (2)
14. Housing Clip (2)
15. Hanging Bracket with lock
16. Air Intake Tube



TECHNICAL SPECIFICATIONS

Aquarium Capacity:	20-80 L (5-20 US Gal.)
Dimensions (L x W x H):	8 x 8 x 26 cm (3" x 3" x 10")
Cup Dimensions (L x W x H):	5 x 5 x 7.5 cm (2" x 2" x 3")
Cup Volume:	0.19 L (6.4 oz)
Pump Wattage:	8 W
Cord Length:	1.8 M (5.9 ft)
Minimum Clearance Above Water Line:	9.5 cm (3.75")

SAFETY INFORMATION

ATTENTION: Please verify that all components of the skimmer are undamaged before putting it into function. **ALWAYS** disconnect electrical supply of the skimmer and any other appliance placed in the water before performing any maintenance. Be sure that the voltage of the power supply corresponds to the voltage shown on the unit's label.

- The pump is intended for **INDOOR USE** only in water with a maximum temperature of 35° C (95° F).
- **DO NOT RUN DRY** - Do not connect to electrical supply if pump is not completely immersed in water.
- Do not connect to electrical supply if pump is missing parts.
- The cord of this pump cannot be replaced or repaired; in case of damage the entire unit must be discarded.
- Do not cut or pull on the electrical cord.
- Always disconnect from main power supply gently and make sure hands are dry.
- To avoid any danger of electric shock remember to always keep all connections dry.
- Verify that the main power supply is clean, and is not humid or encrusted with salt deposits.
- Please keep these instructions in a safe and dry place for future reference.

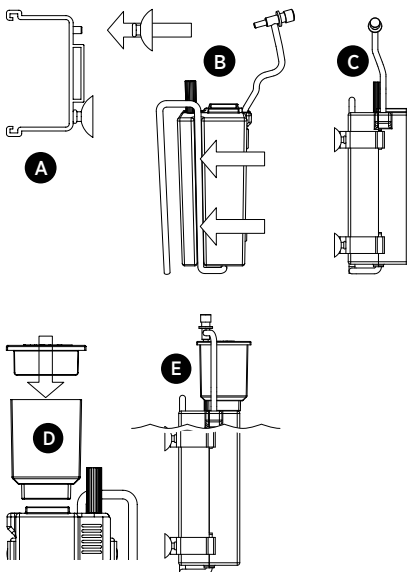
INSTALLATION INSTRUCTIONS

The Fluval Sea Mini Skimmer is designed to be positioned inside the aquarium by the use of the suction cup housing clips and the hanging bracket.

Option # 1: Housing Clips for Mounting Options

- Attach suction cups to the housing clips.
- Ensure the power cord is routed through the integrated channel on the rear housing.
- Slide the housing clips over the rear housing and lock the clips to the front housing.
- Install collection cup on top of the skimmer and cover the collection cup with the lid. Ensure the air intake tube (with air intake valve) is correctly installed on the top of the lid.
- Install the skimmer in the aquarium so that the water level is just below the top of the housing.

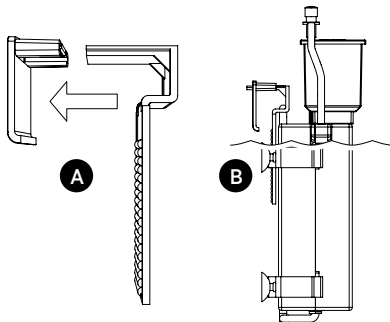
After placing the skimmer in the aquarium, plug in the power cord to the electrical outlet. Ensure the creation of a "drip loop" in the power cord for safe operation. Allow the skimmer to operate for a few minutes before any adjustments are made. The 32-needle wheel impeller will mix the air and water to create bubbles (foam). After a few minutes, turn the water level control valve to increase or decrease the foam level in the collection cup.



Option # 2: Hanging Bracket and Lock

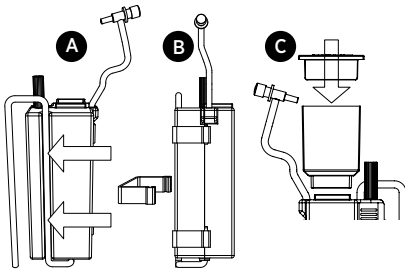
Follow installation instructions as per Option # 1, but with these additional steps.

- Slide the bracket lock onto the hanging bracket. The bracket lock position should be adjusted to fit to the width of the aquarium top frame.
- Slide the hanging bracket through the housing clip. Adjust the height of the hanging bracket for the correct skimmer position within the aquarium.



INSTALLATION INSTRUCTIONS - EVO 12 AQUARIUM

The Fluval Sea Mini Protein Skimmer is recommended for use with the Fluval Sea Evo 12 Aquarium. Its compact size allows it to fit comfortably into the designated skimmer slot located on the back of the aquarium. For EVO 12 Aquarium installation, use the specially designed housing clips (without suction cups).



A) Ensure the power cord is routed through the integrated channel on the rear housing.

B) Slide the housing clips over the rear housing and lock the clips to the front housing.

C) Install collection cup on top of the skimmer and cover the collection cup with the lid. Ensure the air intake tube (with air intake valve) is correctly installed on the top of the lid.

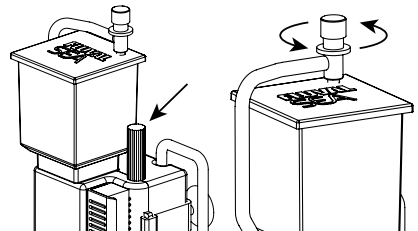
D) Install the skimmer in the designated slot on the back of the aquarium.

After placing the skimmer in the aquarium, plug in the power cord to the electrical outlet. Ensure the creation of a “drip loop” in the power cord for safe operation. Allow the skimmer to operate for a few minutes before any adjustments are made. The 32-needle wheel impeller will mix the air and water to create bubbles (foam). After a few minutes, turn the water level control valve to increase or decrease the foam level in the collection cup.

IMPORTANT: The skimmer needs to run at least three to seven days before it starts foaming properly and the setting becomes final.

1. Water-level adjustment: Turn the water level control valve to raise the water level inside the reaction chamber for the type of desired foaming (skimming) action.

2. Air regulation: The air flow can be regulated by adjusting the air intake valve. Air regulation is very important and depends on the aquarium stocking, the type of foaming action desired, etc. The Fluval Sea Mini Protein Skimmer is designed to operate with the air intake valve completely open to optimize the ratio between the air volume, the reaction chamber, and the quantity of water skimmed.



(water level control valve)

(air intake valve)

Dry Skimming Action:

- For heavily-stocked aquariums or for dark foam/skimming, adjust the water level control valve to allow the minimum amount of water to enter the skimmer. Dry skimming produces dry foam (froth) with dark, concentrated waste material (less volume).

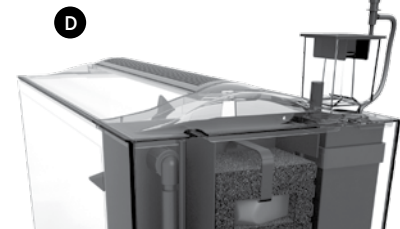
Wet Skimming Action:

- For aquariums with normal stocking levels or for light foam/skimming, adjust the water level control valve to allow a greater amount of water to enter the skimmer. Wet skimming produces wet foam with light, diluted waste material (more volume).

Attention: It is advisable to make air intake and water level adjustments in small increments. For every adjustment, you will need a few hours before verifying if the foam production suits your needs. Repeat this process until you achieve the desired setting.

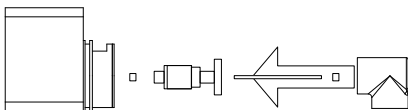
Collection Cup

- Always operate the skimmer with the lid and the air intake tube correctly positioned. The air tube should always be positioned correctly on the collection cup lid and should never hang over the side of the aquarium to prevent the drainage of the aquarium itself.



OPERATING INSTRUCTIONS

NOTE: The following instructions on regulating water level and airflow are only indicative for the start up of the skimmer. It will then be up to you to adjust the system to better fit your aquarium needs.

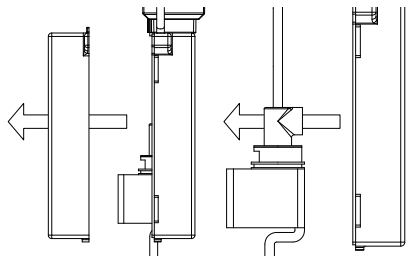


MAINTENANCE

ATTENTION: Before placing hands in the aquarium, always disconnect from the main power supply all electrical aquarium devices immersed in water. Regular cleaning and maintenance of the skimmer and the foaming pump will guarantee better performance and durability. To avoid shortening the life of the pump, follow these simple maintenance procedures.

WARNING: Before removing the skimmer from the installation, empty the collection cup to prevent the waste from accidentally falling in the aquarium.

- Check the collection cup and clean it on a regular basis.
- Periodically clean the inside of the skimmer with water to remove any trace of algae. Only if necessary, use a 20% solution of vinegar to remove algae or calcium residue (which could inhibit foaming).
- The protein skimmer housing is made of 2 halves that come apart for easy cleaning. Remove the housing clips to separate the 2 halves. Then remove the pump, electrical cord and airline from the rear housing to make cleaning easier. Reassemble when done.



- Regularly, or when the airflow diminishes, clean the air intake tube and the air intake valve (they could become blocked with calcium, salt or dust residue).
- Special care should be taken when cleaning the pump. Correct maintenance will guarantee durability of the impeller and less noise. Calcium residue could form between the shaft and the impeller, as in the impeller chamber. These residues can cause friction, overheating and premature wear and tear compromising the components and proper functioning. For this reason and in case of calcium precipitation, soak the components in a 20% vinegar solution for 30 minutes then rinse thoroughly.

TROUBLE SHOOTING TIPS

Note: Variables that can affect wet or dry skimming action include:

- adding new fish
- frequent feeding
- change in water chemistry
- supplements and medication
- water quality
- water fluctuations/evaporation
- water changes
- maintenance

1. No bubbles being produced inside the skimmer (reaction chamber):

- Air intake valve is not open at all or the airline tubing is not attached to the pump.
- Water intake is clogged.
- Pump and/or needle-wheel impeller is clogged.
- Skimmer is not plugged in.

2. No foam is being produced inside the collection cup:

- Check airflow and if necessary increase or open completely.
- Adjust the water level inside the skimmer. If the water level is fine, no foam may be normal as there is no residue to skim and clear out. This is why, for short periods of time there can be a lack of foam.

3. Pump is not working:

- Check to make sure power is supplied and/or unit is plugged in.
- Check impeller for dirt or debris.

4. Noisy pump:

- Make sure the pump is not damaged. Check that it is assembled correctly.
- Clean the pump by carrying out the procedures described in the Maintenance section.

WARRANTY

The Fluval Sea Mini Protein Skimmer is guaranteed against defects in material or workmanship under normal aquarium usage and service for 2 years. We offer a 2 year guarantee on all non replaceable parts which means that the skimmer will be repaired or replaced at the manufacturer's discretion, free of charge, when the complete skimmer is returned with proof of purchase and postage paid. This warranty does not apply to any skimmer that has been subjected to misuse, negligence or tampering, or commercial use. No liability is assumed with respect to loss or damage to livestock or personal property irrespective of the cause thereof. **This warranty does not affect your statutory rights.**

FOR AUTHORIZED GUARANTEE REPAIR SERVICE:

For Authorized Warranty Service please return (well packaged and by registered post) to the address below enclosing dated receipt and reason for return. If you have any queries or comments about the operation of this product, please let us try to help you before you return the product to your retailer. Most queries can be handled promptly with a phone call. When you call (or write), please have all relevant information ready, such as model number, age of product, details of aquarium set-up, as well as the nature of the problem.

CANADA: Rolf C. Hagen Inc., Consumer Repair, 20500 Trans Canada Hwy, Baie D'Urfé QC H9X 0A2

U.S.A.: Rolf C. Hagen (U.S.A.) Corp., 305 Forbes Blvd, Mansfield, MA. 02048

UK: Rolf C. Hagen (UK) Ltd, Customer Service
Department California Drive, Whitwood Ind Est.,
Castleford West Yorkshire WF10 5QH
<http://faq.hagencrm.com?uk>

CALL US ON OUR TOLL-FREE NUMBER:

Canada only: 1-800-554-2436 between 9:00 a.m. and 4:30 p.m. Eastern Standard Time. Ask for Customer Service.

U.S. only: 1-800-724-2436 between 9:00 a.m. and 4:00 p.m. Eastern Standard Time. Ask for Customer Service.

U.K. only: Helpline Number 01977 521015. Between 9:00 AM and 5:00 PM, Monday to Thursday and 9:00 AM and 4:00 PM on Friday (excluding Bank Holidays).



RECYCLING: This symbol bears the selective sorting symbol for waste electrical and electronic equipment (WEEE). This means that this product must be handled pursuant to European Directive 2012/19/EU in order to be recycled or dismantled to minimize its impact on the environment. Check with your local Environmental Agency for possible disposal instructions or take to an official council registered refuse collection point. Electronic products not included in the selective sorting process are potentially dangerous for the environment and human health due to the presence of hazardous substances.

WICHTIGESICHERHEITSHINWEISE

WARNUNG – Zum Schutz vor Verletzungen sind grundlegende Sicherheitsvorkehrungen zu beachten, einschließlich der folgenden Hinweise:

1. LESEN UND BEFOLGEN SIE ALLE SICHERHEITSHINWEISE

sowie alle wichtigen Hinweise auf dem Gerät vor der Benutzung. Andernfalls kann dieses Produkt beschädigt werden.

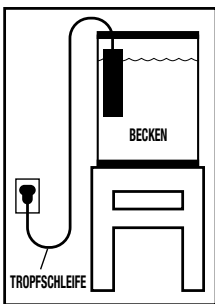
2. GEFAHR – Zur Vermeidung eines möglichen elektrischen Schlags sollten Sie besonders vorsichtig sein, weil bei der Benutzung von Aquariengeräten Wasser verwendet wird. In den folgenden Situationen sollten Sie nicht versuchen, das Gerät selbst zu reparieren, sondern es an einen autorisierten Kundendienst zur Reparatur geben oder das Gerät entsorgen.

A. Wenn das Gerät einen abnormalen Stromverlust zeigt oder wenn sich der FI- bzw. Fehlerschutzschalter ausschaltet, ziehen Sie den Netzstecker aus dem Stromnetz und nehmen Sie den Eiweißabschäumer aus dem Wasser.

B. Gerät nach der Installation sorgfältig überprüfen. Es darf nicht an das Stromnetz angeschlossen werden, wenn Teile nass geworden sind, die nicht nass werden dürfen.

C. Kein Gerät mit beschädigtem Netzkabel oder beschädigtem Stecker benutzen oder wenn es nicht richtig funktioniert, heruntergefallen ist oder anderweitig beschädigt wurde. Das Netzkabel dieses Geräts kann nicht ausgetauscht werden. Wenn das Kabel beschädigt ist, sollte das Gerät entsorgt werden. Niemals das Kabel abschneiden.

D. Um die Möglichkeit zu vermeiden, dass der Gerätestecker oder die Steckdose nass werden, sollte das Gerät neben einer Wandsteckdose so positioniert werden, dass kein Wasser auf Steckdose oder Stecker tropfen kann. Eine „Tropfschleife“ (siehe Abbildung 1) sollte zur Steckdose hin gebildet werden. Die „Tropfschleife“ ist der Teil des



Netzkabels, der unterhalb der Steckdose oder des Anschlusses bei Verwendung eines Verlängerungskabels liegt. Damit wird verhindert, dass Wasser das Kabel entlangwandert und mit der Steckdose in Berührung kommt. Wenn der Stecker oder die Steckdose nass werden, ziehen Sie NICHT den Stecker. Sicherung oder Stromkreisunterbrecher für das Gerät ausschalten. Erst

danach das Netzkabel herausziehen und die Steckdose auf Wasser überprüfen.

3. WARNUNG – Sorgfältige Aufsicht ist notwendig, wenn ein Gerät von Kindern oder in der Nähe von Kindern benutzt wird. Das Gerät ist nicht für den Gebrauch durch Personen (einschließlich Kindern) mit eingeschränkten körperlichen, sensorischen oder geistigen Fähigkeiten oder durch Personen mit wenig Erfahrung im Umgang mit technischen Geräten geeignet, außer wenn diese Personen vor der Nutzung des Gerätes entsprechende Bedienungsanweisungen erhalten oder sie unter Aufsicht einer Person stehen, die für ihre Sicherheit verantwortlich ist. Kinder sollten stets beaufsichtigt werden, damit sie nicht mit dem Gerät herumspielen.

4. Um Verletzungen zu vermeiden, berühren Sie keine beweglichen oder heißen Teile.

5. VORSICHT – Grundsätzlich alle Geräte im Aquarium vom Stromnetz trennen, bevor Hände ins Wasser getaucht, Teile ein- bzw. abgebaut oder Geräte installiert bzw. gewartet werden. Immer alle Stecker ziehen, wenn der Eiweißabschäumer ins Wasser getaucht oder aus dem Wasser geholt wird. Nie am Netzkabel ziehen, um den Stecker aus der Steckdose zu ziehen. Immer am Stecker anfassen und ziehen. Geräte, die nicht benutzt werden, immer vom Stromnetz trennen.

6. Dies ist ein Eiweißabschäumer für Aquarien. Benutzen Sie diesen Eiweißabschäumer nur für den vorgesehenen Verwendungszweck (d. h. nicht für Swimmingpools, Badezimmer usw.). Die Verwendung von Anbauteilen, die nicht vom Gerätehersteller empfohlen oder verkauft werden, kann zu einem unsicheren Betriebszustand führen.

- Diesen Eiweißabschäumer nicht in Swimmingpools oder in anderen Situationen verwenden, in denen sich Menschen im Wasser befinden.

- Dieser Eiweißabschäumer ist für einen Gebrauch bei Wassertemperaturen bis zu 35 °C geeignet.

- Den Eiweißabschäumer nicht mit entzündlichen oder trinkbaren Flüssigkeiten verwenden.

7. Dieser Eiweißabschäumer ist ausschließlich für den Gebrauch im **HAUSHALT/IN GESCHLOSSENEN RÄUMEN** geeignet. Installieren oder lagern Sie das Gerät nicht dort, wo es der Witterung oder Temperaturen unter dem Gefrierpunkt ausgesetzt ist.

8. Achten Sie darauf, dass der Eiweißabschäumer sicher installiert ist, bevor er in Betrieb genommen wird. Lassen Sie den Eiweißabschäumer nie trocken laufen. Der Eiweißabschäumer muss vollständig unter Wasser getaucht sein und darf niemals außerhalb des Wassers in Betrieb genommen werden.

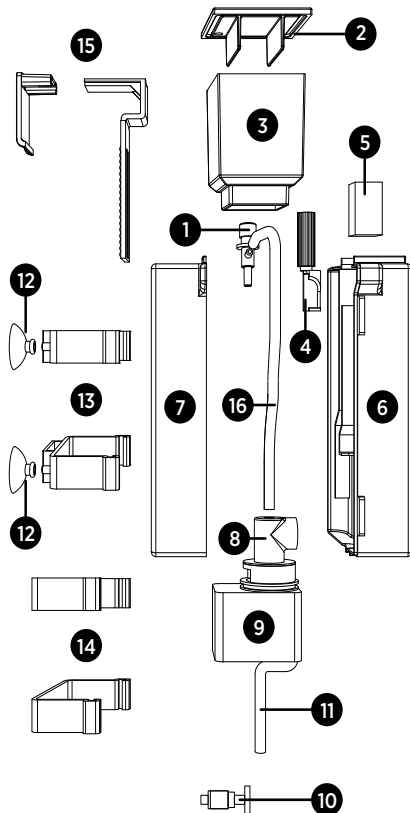
9. WARNUNG – Nur für den nordamerikanischen Markt. Dieses Gerät verfügt über einen polarisierten Stecker (eine Steckerseite ist breiter als die andere). Dies ist eine Sicherheitsfunktion. Der Stecker kann somit nur in einer Ausrichtung in eine polarisierte

Steckdose gesteckt werden. Falls der Stecker nicht in die Steckdose passt, den Stecker umdrehen. Passt der Stecker dennoch nicht in die Steckdose, wenden Sie sich an einen qualifizierten Elektriker. Verwenden Sie ein Verlängerungskabel nur dann, wenn der Stecker vollständig eingesteckt werden kann. Versuchen Sie keinesfalls, diesen Sicherheitshinweis zu umgehen.

10. Wenn ein Verlängerungskabel benötigt wird, muss ein Kabel geeigneter Leistung benutzt werden. Ein Verlängerungskabel mit weniger Ampere oder Watt als das Gerät kann sich überhitzen. Achten Sie darauf, das Verlängerungskabel so zu verlegen, dass man nicht darüber stolpert oder es herauszieht.

11. BEWAHREN SIE DIESE ANLEITUNG AUF

Zur vollständigen Nutzung und zum Verständnis dieses Produkts wird empfohlen, diese Anleitung gründlich zu lesen und zu verstehen. Andernfalls kann dieses Produkt beschädigt werden.



EINLEITUNG

Der Fluval Sea Mini-Eiweißabschäumer eignet sich für den Gebrauch in Aquarien mit einer Kapazität von 20-80 Litern. Der Eiweißabschäumer trägt dazu bei, gelöste organische Verbindungen – darunter Proteine und Aminosäuren – zu entfernen, bevor sie sich in gefährlichen Stickstoff verwandeln können, der für Aquarienbewohner schädlich sein kann. Das Ergebnis: ein höherer Sauerstoffgehalt im Wasser und ein gesundes Aquarium. Der Fluval Sea Mini-Eiweißabschäumer kann für eine schnelle und einfache Wartung leicht auseinandergenommen werden. (Hinweis: Dieser Eiweißabschäumer dient in Meerwasser- und Riffaquarien nicht als Filtersersatz).

TEILELISTE

1. Lufterlassventil
2. Schaumbecherabdeckung
3. Schaumbecher
4. Wasserpegel-Kontrollventil
5. Bläschenperre
6. Vorderseite des Behälters
7. Hinterer Teil des Behälters
8. Flügelradabdeckung
9. Pumpe
10. Flügelrad
11. Netzkabel
12. Saugnäpfe (4)
13. Behälterclip für die Montageoptionen (2)
14. Behälterclip (2)
15. Halteklammer
16. Lufterlassrohr

TECHNISCHE INFORMATIONEN

Aquarienkapazität	20-80 L
Größe	8 x 8 x 26 cm
Größe des Schaumbechers	5 cm L x 5 cm W x 7.5 cm H
Volumen des Schaumbechers	0.19 L
Pumpenleistung	8 W
Kabellänge :	1.8 M
Minimale Höhe über dem Wasser	9.5 cm

SICHERHEITSINFORMATIONEN

VORSICHT: Bitte überprüfen Sie, dass alle Teile des Eiweißabschäumers unbeschädigt sind, bevor Sie ihn in Betrieb nehmen. Trennen Sie den Eiweißabschäumer und alle anderen im Wasser in Betrieb genommenen Geräte **IMMER** vom Stromnetz, bevor Sie Wartungsarbeiten durchführen. Achten Sie darauf, dass die elektrische Spannung des Stromnetzes mit der auf dem Etikett der Einheit angegebenen elektrischen Spannung übereinstimmt.

- Dieser Eiweißabschäumer ist ausschließlich für den Gebrauch in geschlossenen Räumen und einer maximalen Wassertemperatur von 35 °C geeignet.
- **NICHT TROCKEN LAUFEN LASSEN** – Verbinden Sie den Eiweißabschäumer erst mit dem Stromnetz, wenn er vollständig unter Wasser getaucht ist.
- Verbinden Sie den Eiweißabschäumer nicht mit dem Stromnetz, wenn Teile fehlen.
- Das Netzkabel des Gerätes kann nicht repariert oder erneuert werden. Wenn das Kabel beschädigt ist, sollte das Gerät entsorgt werden.
- Das Netzkabel nicht durchschneiden oder daran ziehen.
- Trennen Sie das Gerät immer vorsichtig vom Stromnetz und achten Sie darauf, dass Ihre Hände dabei trocken sind.
- Um einen elektrischen Schlag zu vermeiden, achten Sie immer darauf, dass alle Verbindungen trocken sind.
- Überprüfen Sie, dass die Steckdose sauber und nicht feucht oder mit einem Salzbelag verkrustet ist.
- Bitte bewahren Sie diese Gebrauchsanleitung an einem trockenen Platz auf.

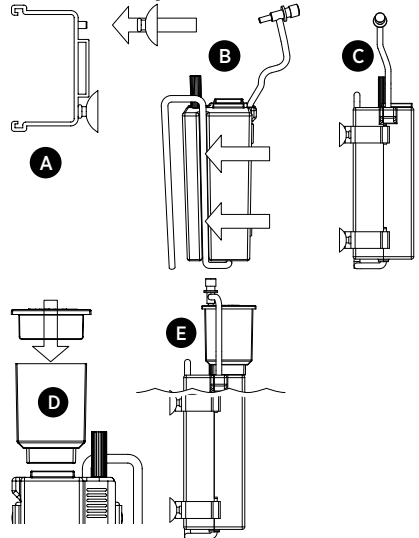
MONTAGEANLEITUNG

Der Fluval Sea Mini-Eiweißabschäumer wurde so konzipiert, dass er mithilfe der Saugnapf-Behälterclips und der Halteklammer im Aquarium montiert werden kann.

Option 1: Behälterclips für die Montageoptionen

- A)** Befestigen Sie die Saugnapfe an den Behälterclips.
- B)** Achten Sie darauf, dass das Netzkabel durch den integrierten Kabelkanal am hinteren Gehäuse geführt wird.
- C)** Schieben Sie die Behälterclips über das hintere Gehäuse und befestigen Sie die Clips am vorderen Gehäuse.
- D)** Installieren Sie den Schaumbecher auf dem Eiweißabschäumer und decken Sie den Schaumbecher mit der Abdeckung ab. Achten Sie darauf, dass das Lufteinlassrohr (mit Lufteinlassventil) ordnungsgemäß auf der Abdeckung installiert ist.
- E)** Installieren Sie den Eiweißabschäumer im Aquarium so, dass das obere Gehäuse ein wenig aus dem Wasser heraussteht.

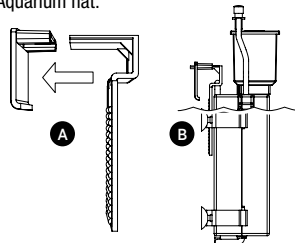
Nachdem Sie den Eiweißabschäumer im Aquarium montiert haben, verbinden Sie die Einheit mit dem Stromnetz. Für einen sicheren Betrieb müssen Sie darauf achten, dass Sie mit dem Netzkabel eine „Tropfschleife“ bilden. Lassen Sie den Eiweißabschäumer einige Minuten in Betrieb, bevor Sie Anpassungen vornehmen. Das Flügelrad mit den 32 Nadeln mischt Luft und Wasser und erzeugt so Bläschen (Schaum). Nach ein paar Minuten können Sie die Menge des Schaums im Schaumbecher mit dem Wasserpegel-Kontrollventil erhöhen oder verringern.



Option 2: Halteklammer und -verschluss

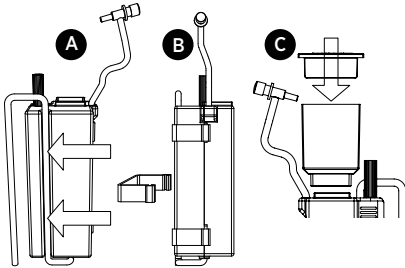
Befolgen Sie sowohl die Montageanleitungen wie in Option 1 beschrieben als auch die folgenden Schritte.

- A)** Schieben Sie den Klammerverschluss auf die Halteklammer. Der Klammerverschluss sollte angepasst werden, damit der Verschluss auf die Breite des Aquarienrahmens passt.
- B)** Schieben Sie die Halteklammer durch den Behälterclip. Passen Sie die Höhe der Halteklammer an, damit der Eiweißabschäumer die korrekte Position im Aquarium hat.



MONTAGEANLEITUNG – EVO 12 AQUARIUM

Wir empfehlen, den Fluval Sea Mini-Eiweißabschäumer mit dem Fluval Sea Evo 12 Aquarium zu verwenden. Dank der kompakten Größe dieses Aquariums passt der Eiweißabschäumer perfekt in die Aussparung im hinteren Teil des Aquariums. Für eine Installation im Evo 12 Aquarium verwenden Sie bitte die speziell konzipierten Behälterclips (ohne Saugnäpfe).



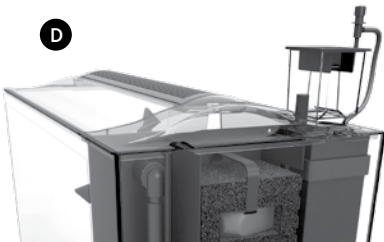
A) Achten Sie darauf, dass das Netzkabel durch den integrierten Kabelkanal am hinteren Gehäuse geführt wird.

B) Schieben Sie die Behälterclips über das hintere Gehäuse und befestigen Sie die Clips am vorderen Gehäuse.

C) Installieren Sie den Schaumbecher auf dem Eiweißabschäumer und decken Sie den Schaumbecher mit der Abdeckung ab. Achten Sie darauf, dass das Lufteinlassrohr (mit Lufteinlassventil) ordnungsgemäß auf der Abdeckung installiert ist.

D) Installieren Sie den Eiweißabschäumer in der dafür vorgesehenen Aussparung im hinteren Teil des Aquariums.

Nachdem Sie den Eiweißabschäumer im Aquarium montiert haben, verbinden Sie die Einheit mit dem Stromnetz. Für einen sicheren Betrieb müssen Sie darauf achten, dass Sie mit dem Netzkabel eine „Tropfschleife“ bilden. Lassen Sie den Eiweißabschäumer einige Minuten in Betrieb, bevor Sie Anpassungen vornehmen. Das Flügelrad mit den 32 Nadeln mischt Luft und Wasser und erzeugt so Bläschen (Schaum). Nach ein paar Minuten können Sie die Menge des Schaums im Schaumbecher mit dem Wasserpegel-Kontrollventil erhöhen oder verringern.



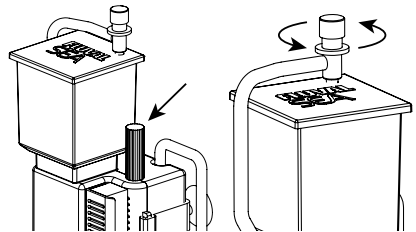
BETRIEBSANLEITUNGEN

HINWEIS: Die folgenden Anleitungen zur Regulierung des Wasserpegels und des Luftstroms sind nur Hinweise für die erste Inbetriebnahme des Eiweißabschäumers. Danach müssen Sie das System entsprechend Ihren Bedürfnissen anpassen, um die Abschäumung optimal einzustellen.

WICHTIG: Der Eiweißabschäumer muss mindestens drei bis sieben Tage in Betrieb sein, bevor die Abschäumung ordnungsgemäß funktioniert und die Einstellung final ist.

1. Anpassung des Wasserpegels: Drehen Sie das Wasserpegel-Kontrollventil, um den Wasserpegel in der Reaktionskammer für die Art der gewünschten Abschäumung anzuheben.

2. Luftregulierung: Der Luftstrom kann durch eine Anpassung des Lufteinlassventils reguliert werden. Die Regulierung des Luftstroms ist äußerst wichtig und hängt vom Besatz des Aquariums, der Art der gewünschten Abschäumung usw. ab. Der Fluval Sea Mini-Eiweißabschäumer wurde für einen Betrieb konstruiert, bei dem das Lufteinlassventil vollständig geöffnet ist, um das Verhältnis zwischen Luftvolumen, der Reaktionskammer und der Menge des abgeschäumten Wassers zu optimieren.



(Wasserpegel-Kontrollventil) (Lufteinlassventil)

Trockene Abschäumung:

- Bei stark besetzten Aquarien oder bei dunklem Schaum müssen Sie das Wasserpegel-Kontrollventil so anpassen, dass so wenig Wasser wie möglich in den Eiweißabschäumer fließt. Eine trockene Abschäumung erzeugt trockenen Schaum mit dunklem, konzentriertem Verunreinigungsmaterial (geringere Menge).

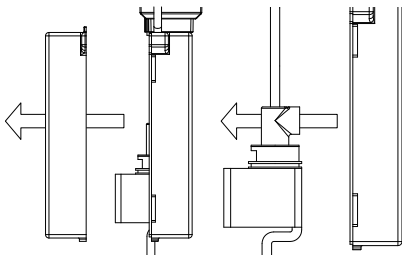
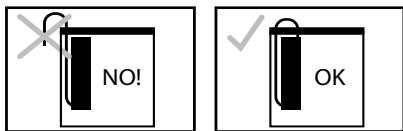
Nasse Abschäumung:

- Bei Aquarien mit normalem Besatz oder bei hellem Schaum müssen Sie das Wasserpegel-Kontrollventil so anpassen, dass eine größere Menge an Wasser in den Eiweißabschäumer fließt. Eine nasse Abschäumung erzeugt nassen Schaum mit hellem, wässrigem Verunreinigungsmaterial (größere Menge).

Vorsicht: Es ist empfehlenswert, Anpassungen am Luftstrom und Wasserpegel in kleinen Schritten vorzunehmen. Bei jeder Anpassung dauert es ein paar Stunden, bevor Sie überprüfen können, ob die

Schaumproduktion Ihren Bedürfnissen entspricht. Wiederholen Sie diese Anpassung, bis Sie die gewünschte Einstellung erreichen.

Schaumbecher: Betreiben Sie den Eiweißabschäumer nur, wenn die Abdeckung und das Lufterlassrohr ordnungsgemäß positioniert sind. Das Luftrohr sollte immer ordnungsgemäß auf der Abdeckung des Schaumbechers positioniert sein und sollte nicht über die Seiten des Aquariums hängen, damit das Aquarium selbst nicht ausläuft.



WARTUNG

VORSICHT: Grundsätzlich alle Geräte im Aquarium vom Stromnetz trennen, bevor Hände ins Wasser getaucht werden. Eine regelmäßige Reinigung und Wartung des Eiweißabschäumers und der Abschäumpumpe gewährleisten eine bessere Leistung und Langlebigkeit. Um die Lebensdauer der Pumpe nicht zu verkürzen, befolgen Sie diese einfachen Schritte zur Wartung des Eiweißabschäumers.

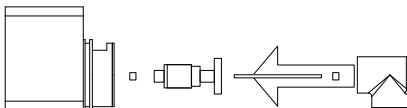
WARNUNG: Bevor Sie den Eiweißabschäumer aus der Installation nehmen, müssen Sie den Schaumbecher leeren, damit die Verunreinigungen nicht versehentlich in das Aquarium zurückfallen.

- Prüfen Sie den Schaumbecher und reinigen Sie ihn regelmäßig.
- Reinigen Sie regelmäßig die Innenseite des Eiweißabschäumers mit Wasser, um Algenablagerungen zu entfernen. Nur falls notwendig können Sie auch eine 20%ige Lösung aus Essig und Wasser verwenden, um Algen- oder Kalkablagerungen zu entfernen (die die Abschäumung hemmen können).

• Das Gehäuse des Eiweißabschäumers besteht aus 2 Hälften, die sich für die Reinigung einfach auseinandernehmen lassen. Nehmen Sie die Behälterclips ab, um die beiden Hälften auseinandernehmen zu können. Nehmen Sie die Pumpe, das Netzkabel und den Luftschlauch aus dem hinteren Teil des Gehäuses, um die Reinigung zu vereinfachen. Wenn Sie mit der Reinigung fertig sind, können Sie alle Teile wieder zusammensetzen.

- Reinigen Sie das Luftrohr und das Lufterlassventil regelmäßig oder wenn der Luftstrom abnimmt (da diese Teile durch Kalk-, Salz- oder Staubablagerungen verstopfen können).

- Wenn Sie die Pumpe reinigen, sollten Sie besonders vorsichtig sein. Eine ordnungsgemäße Wartung gewährleistet die Langlebigkeit des Flügelrades und Geräuscharmut. Kalkablagerungen können sich zwischen dem Schaft und dem Flügelrad und in der Flügelradkammer bilden. Diese Ablagerungen können Reibung, eine Überhitzung und eine vorzeitige Abnutzung erzeugen. Dies kann den Komponenten und dem ordnungsgemäßen Betrieb schaden. Aus diesem Grund und im Fall von Kalkablagerungen weichen Sie die Komponenten für 30 Minuten in einer 20%igen Lösung aus Essig und Wasser ein und spülen Sie sie dann gründlich ab.



TIPPS ZUR FEHLERBEHEBUNG

Hinweis: Variablen, die die trockene oder nasse Abschäumung beeinflussen können, sind zum Beispiel:

- Einsatz von neuen Fischen
- Häufiges Füttern
- Veränderung der Wasserchemie
- Wasserzusätze und Medikationen
- Wasserqualität
- Wasserschwankungen/-verdunstung
- Wasserwechsel
- Wartung

1. Im Eiweißabschäumer (Reaktionskammer) werden keine Bläschen erzeugt:

- Das Lufterlassventil ist nicht geöffnet oder das Luftrohr ist nicht an der Pumpe befestigt.
- Der Wassereinlass ist verstopft.
- Die Pumpe und/oder das Flügelrad sind verstopft.

- Der Eiweißabschäumer ist nicht mit dem Stromnetz verbunden.

2. In dem Schaumbecher wird kein Schaum erzeugt:

- Überprüfen Sie den Luftstrom und erhöhen Sie ihn gegebenenfalls oder öffnen Sie das Ventil gegebenenfalls vollständig.
- Passen Sie den Wasserpegel im Eiweißabschäumer an. Wenn der Wasserpegel in Ordnung ist, kann es normal sein, dass kein Schaum vorhanden ist, da keine Verunreinigungen vorhanden sein können, die abgeschäumt werden könnten. Aus diesem Grund kann es über einen kurzen Zeitraum vorkommen, dass kein Schaum vorhanden ist.

3. Die Pumpe arbeitet nicht:

- Überprüfen Sie, ob die Einheit mit Strom versorgt wird und/oder die Einheit mit dem Stromnetz verbunden ist.
- Prüfen Sie das Flügelrad auf Schmutz oder Verunreinigungen.

4. Pumpenlärm:

- Stellen Sie sicher, dass die Pumpe nicht beschädigt ist und prüfen Sie, ob alles ordnungsgemäß zusammengebaut ist.
- Reinigen Sie die Pumpe gemäß den im Abschnitt „Wartung“ beschriebenen Schritten.

GEWÄHRLEISTUNG

Wir gewährleisten Ihnen, dass der Fluval Sea Mini-Eiweißabschäumer bei normaler Verwendung für die Dauer von 2 Jahren ab dem Zeitpunkt des Erwerbs von Material- bzw. Verarbeitungsfehlern frei ist. Sollte dies nicht der Fall sein, verpflichtet sich der Hersteller nach seinem alleinigen Ermessen zur Reparatur oder zum Ersatz der Einheit, bzw. der ersetzbaren Teile. Diese Gewährleistung erstreckt sich nicht auf Geräte, die unsachgemäßer oder fahrlässiger Verwendung oder Manipulationen ausgesetzt wurden oder die durch Unfall beschädigt wurden oder die kommerziell benutzt wurden. Eine Haftung für Verluste oder Schäden an Tierbestand oder persönlichem Eigentum ist unabhängig von ihrer Ursache ausgeschlossen.

Ihre gesetzlichen Rechte werden hiervon nicht beeinflusst.

KUNDENDIENST

Sollten Sie im Hinblick auf den Gebrauch des Produktes Probleme oder Fragen haben, wenden Sie sich bitte zuerst an Ihren Fluval® Fachhändler. Häufig können Probleme und Fragen vom Fachhändler geklärt werden; falls dies jedoch einmal nicht der Fall sein sollte, geben Sie das Gerät mit dem Kaufbeleg im Rahmen der Gewährleistung an den Vertreiber in Ihrem Land zurück. Wenn Sie unseren Kundendienst kontaktieren (telefonisch oder schriftlich), halten Sie bitte alle

relevanten Informationen, z.B. Modell-Nummer und/oder Teile-Nummer sowie Angaben zum Problem, bereit.

HAGEN Deutschland GmbH & Co. KG,
Lehmweg 99-105, 25488 Holm



RECYCLING: Dieses Symbol steht für die getrennte Entsorgung von elektrischen und elektronischen Artikeln (WEEE). Das bedeutet, dass diese Produkte gemäß der europäischen Richtlinie 2012/19/EU recycelt oder demontiert werden müssen, um Umweltschäden zu minimieren. Wenden Sie sich für weitere Informationen an die zuständigen Behörden. Elektronische Produkte, die nicht der Abfalltrennung unterzogen werden, sind potenziell gefährlich für die Umwelt und für die menschliche Gesundheit, da sie gefährliche Substanzen enthalten können.

MESURES DE SÉCURITÉ IMPORTANTES

AVERTISSEMENT – Pour éviter toute blessure, il faut observer des précautions élémentaires de sécurité, notamment celles qui suivent.

1. LIRE ET SUIVRE TOUTES LES MESURES DE SÉCURITÉ

et tous les avis importants apparaissant sur l'appareil avant de l'utiliser. Manquer à ces précautions peut entraîner des dommages à l'appareil.

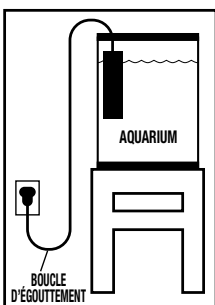
2. DANGER – Pour éviter tout risque de choc électrique, une attention spéciale doit être portée puisque de l'eau est utilisée avec l'équipement d'aquarium. Dans chacune des situations suivantes, ne pas essayer de réparer l'appareil soi-même; le retourner plutôt à un service de réparations autorisé ou le jeter.

A. Si l'appareil montre un signe de fuite d'eau anormale ou si le dispositif différentiel (ou disjoncteur de fuite de terre) s'éteint, débrancher le cordon d'alimentation et retirer l'écumoire de l'eau.

B. Examiner attentivement l'appareil après l'installation. Il ne doit pas être branché s'il y a de l'eau sur des pièces ne devant pas être mouillées.

C. Ne pas faire fonctionner un appareil dont la fiche ou le cordon sont endommagés, qui ne fonctionne pas correctement ou qui est tombé ou a été endommagé d'une quelconque manière. Le cordon d'alimentation de cet appareil ne peut pas être remplacé; si le cordon est endommagé, il faut jeter l'appareil. Ne jamais couper le cordon d'alimentation.

D. Afin d'éviter la possibilité que la fiche de l'appareil ou la prise de courant entrent en contact avec de l'eau, installer l'appareil à côté d'une prise de courant murale. Pour empêcher l'eau de dégoutter sur la prise ou la fiche, former une « boucle d'égouttement » (voir illustration) avec le cordon d'alimentation qui relie l'appareil à la prise.



Cette boucle est la partie du cordon qui se trouve sous la prise de courant ou le raccord si une rallonge est utilisée afin d'empêcher l'eau de glisser le long du cordon et d'entrer en contact avec la prise de courant. Si la fiche ou la prise de courant entrent en contact avec de l'eau, NE PAS débrancher l'appareil. Mettre d'abord le fusible ou le disjoncteur qui fournit l'électricité à l'appareil hors circuit.

Débrancher ensuite l'appareil et vérifier qu'il n'y a pas d'eau dans la prise.

3. AVERTISSEMENT – Il est nécessaire de surveiller étroitement les enfants qui utilisent cet appareil ou qui se trouvent à proximité. Cet appareil ne doit pas être utilisé par des personnes (y compris des enfants) aux capacités physiques, sensorielles ou mentales réduites, ou manquant d'expérience ou de connaissances, à moins qu'elles soient placées sous la surveillance d'une personne chargée de leur sécurité ou qu'elles en aient reçu les directives nécessaires à l'utilisation de cet appareil. Toujours surveiller étroitement les enfants afin de s'assurer qu'ils ne s'amuse pas avec cet appareil.

4. Pour éviter toute blessure, ne toucher aucune pièce mobile ou chaude.

5. ATTENTION – Toujours débrancher tous les appareils à l'intérieur de l'aquarium de la prise de courant avant de se mettre les mains dans l'eau, d'insérer ou de retirer des pièces et avant d'installer, d'entretenir ou de manipuler l'équipement. Avant de déposer le filtre dans l'eau ou de l'en retirer, toujours le débrancher de la prise principale. Ne jamais tirer sur le cordon d'alimentation pour débrancher l'appareil. Prendre plutôt la fiche entre les doigts, puis tirer. Toujours débrancher tout appareil quand il n'est pas utilisé.

6. Cet appareil est une écumoire pour aquarium. Ne pas employer cette écumoire pour un usage autre que celui pour lequel elle a été conçue (c.-à-d. ne pas l'utiliser dans des piscines, des salles de bain, etc.). L'emploi de fils ou de pièces ni recommandés ni vendus par le fabricant de l'appareil peut être source de situations dangereuses.

- Cette écumoire convient à un usage dans l'eau dont la température ne dépasse pas 35 °C.

- Ne pas utiliser cette écumoire avec des liquides inflammables ou potables.

7. Cette écumoire convient à un usage **DOMESTIQUE** et à l'INTÉRIEUR seulement. Ne pas installer ni ranger l'appareil où il sera exposé aux intempéries ou à des températures sous le point de congélation.

8. S'assurer que l'écumoire est solidement installée avant de la mettre en marche. Ne jamais la faire fonctionner à sec. L'écumoire doit être complètement recouverte d'eau. Cette écumoire pour aquarium ne doit jamais fonctionner en dehors de l'eau.

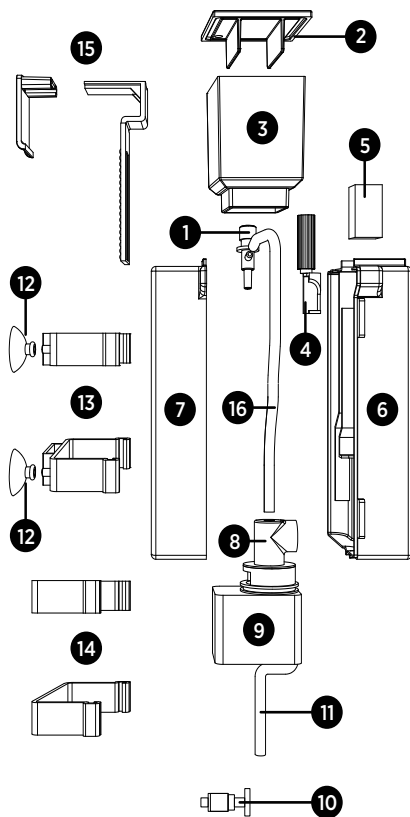
9. AVERTISSEMENT – Pour le marché nord-américain seulement : cet appareil est muni d'une fiche polarisée (une lame est plus large que l'autre). Comme dispositif de sécurité, cette fiche se branchera sur une prise polarisée d'un seul côté. Si la fiche n'entre pas complètement dans la prise, l'essayer de l'autre côté. Si la fiche n'entre toujours pas dans la prise, s'adresser à un électricien qualifié. Ne jamais utiliser de rallonge électrique si la fiche n'entre

pas complètement dans la prise. Ne pas essayer d'aller à l'encontre de ce dispositif de sécurité.

10. Si une rallonge électrique est nécessaire, vérifier qu'elle est d'un calibre suffisant. Un cordon électrique de moins d'ampères ou de watts que l'appareil peut surchauffer. Des précautions doivent être prises afin d'éviter qu'on tire sur la rallonge ou qu'on trébuche sur celle-ci. Le raccordement doit être effectué par un électricien qualifié.

11. CONSERVER CES INSTRUCTIONS.

Pour comprendre le fonctionnement de cet appareil et bien l'utiliser, il est recommandé de lire le mode d'emploi au complet. Le non-respect de cette directive pourrait entraîner des dommages à l'appareil.



INTRODUCTION

L'écumoire de protéines Mini Fluval Sea convient aux aquariums de 20 à 80 L (de 5 à 20 gal US). Elle aide à améliorer l'oxygénation et ainsi à créer un environnement sain en enlevant les matières organiques dissoutes de l'aquarium, y compris les protéines et les acides aminés, avant que celles-ci ne se transforment en déchets azotés nuisibles aux habitants de l'aquarium. L'écumoire de protéines Mini Fluval Sea se démonte facilement, simplifiant ainsi son nettoyage. (Note : Cette écumoire n'est pas destinée à être utilisée comme système de filtration de rechange pour les aquariums d'eau de mer et récifaux.)

DESCRIPTION

1. Soupape d'entrée d'air
2. Couvercle du contenant collecteur
3. Contenant collecteur
4. Vanne de réglage du niveau d'eau
5. Filet à bulles en mousse
6. Boîtier avant
7. Boîtier arrière
8. Couvercle de l'impulseur
9. Pompe
10. Impulseur
11. Cordon d'alimentation
12. Ventouses (4)
13. Supports clipables de fixation du boîtier avec ventouses (2)
14. Supports clipables de fixation du boîtier (2)
15. Support de montage
16. Tube à air

CARACTÉRISTIQUES TECHNIQUES

Contenance de l'aquarium :	20 - 80 L (5 - 20 gal US)
Dimensions :	8 x 8 x 26 cm (3 x 3 x 10 po)
Dimensions du contenant collecteur :	L. 5 x l. 5 x H. 7,5 cm (2 x 2 x 3 po)
Volume du contenant collecteur :	0,19 L (6,4 oz)
Puissance de la pompe :	8 W
Longueur du cordon :	1,8 m (5,9 pi)
Dégagement minimum hors de l'eau :	9,5 cm (3,75 po)

RENSEIGNEMENTS DE SÉCURITÉ

Attention : S'assurer que les diverses pièces constituant l'écumoire ne sont pas endommagées avant de la faire fonctionner. Avant d'effectuer tout entretien, TOUJOURS débrancher l'écumoire et tout autre appareil placé dans l'eau. S'assurer que la tension de la prise électrique correspond à celle inscrite sur l'étiquette de l'appareil.

• La pompe est conçue pour un usage à l'intérieur seulement, dans une eau dont la température maximale est de 35 °C (95 °F).

• **NE PAS FAIRE FONCTIONNER L'APPAREIL À SEC**
– Ne pas brancher l'écumoire si la pompe n'est pas complètement immergée dans l'eau.

• Ne pas brancher la pompe s'il manque des pièces.

• Le cordon de cette pompe ne peut être remplacé ni réparé; en cas de dommage, l'appareil entier doit être jeté.

• Ne pas tirer sur le cordon électrique ou le couper.

• Toujours débrancher l'appareil de l'alimentation principale et s'assurer de ne pas avoir les mains mouillées.

• Pour éviter tout risque de choc électrique, toujours garder les branchements secs.

• Vérifier que l'alimentation principale est propre, qu'elle n'est pas humide et qu'elle ne contient pas de dépôts de sel.

• Garder ces instructions dans un endroit sûr et sec pour une consultation ultérieure.

INSTRUCTIONS D'INSTALLATION

L'écumoire de protéines Mini Fluvial Sea est conçue pour être fixée à l'intérieur d'un aquarium à l'aide d'un support de support clipable avec ventouses et d'un support de montage.

Option n° 1 : Support clipable de fixation du boîtier avec ventouses

A) Fixer les ventouses au support clipable de fixation du boîtier.

B) Insérer le cordon d'alimentation dans la rainure du boîtier arrière.

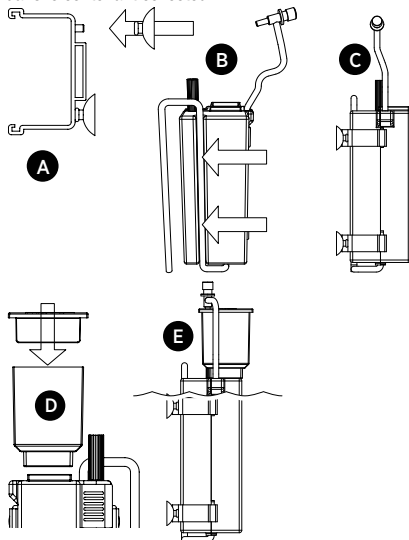
C) Glisser le support clipable de fixation du boîtier avec ventouses sur le boîtier arrière pour y bloquer le boîtier avant.

D) Installer le contenant collecteur sur le dessus de l'écumoire et mettre le couvercle du contenant collecteur. S'assurer que le tube à air et la soupape d'entrée d'air qui y est fixée, sont correctement installés sur le dessus du couvercle.

E) Mettre l'écumoire dans l'aquarium de façon à ce que le niveau de l'eau soit tout juste sous le dessus du boîtier.

Lorsque l'écumoire est installée dans l'aquarium, brancher la fiche du cordon d'alimentation dans la prise

de courant. Créer une boucle d'égouttement dans le cordon d'alimentation pour assurer un fonctionnement sûr. Faire fonctionner l'écumoire pendant quelques minutes avant de faire un réglage. La roue à 32 aiguilles (impulseur) mélangera l'air et l'eau afin de créer des bulles qui formeront de la mousse. Après quelques minutes, tourner la vanne de réglage du niveau d'eau pour augmenter ou diminuer la production de mousse dans le contenant collecteur.

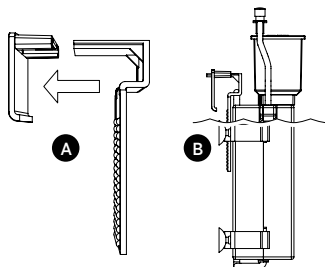


Option n° 2 : Support de montage avec verrou

Suivre toutes les étapes d'installation de l'option n° 1, en plus des étapes suivantes.

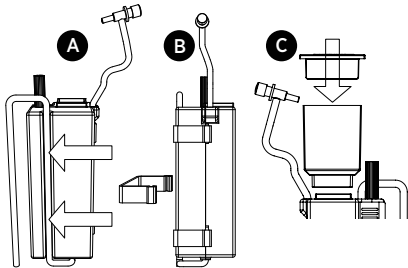
A) Ajouter le verrou du support au support de montage. Le verrou doit être ajusté afin de correspondre à la largeur du rebord supérieur de l'aquarium.

B) Glisser le support de montage muni du verrou dans le support clipable de fixation du boîtier avec ventouses. Régler la hauteur du support de montage selon la position appropriée de l'écumoire dans l'aquarium.



INSTRUCTIONS D'INSTALLATION – AQUARIUM EVO 12

L'écumoire de protéines Mini Fluval Sea convient à l'aquarium Evo 12 Fluval Sea. De petite taille, l'écumoire s'insère facilement dans l'ouverture correspondante à l'arrière de l'aquarium. Pour installer l'écumoire dans l'aquarium EVO 12, utiliser le support clipable de fixation du boîtier (sans ventouses) spécialement conçu pour cet aquarium.



A) Insérer le cordon d'alimentation dans la rainure du boîtier arrière.

B) Glisser le support clipable de fixation du boîtier sur le boîtier arrière pour y bloquer le boîtier avant.

C) Installer le contenant collecteur sur le dessus de l'écumoire et mettre le couvercle du contenant collecteur. S'assurer que le tube à air et la soupape d'entrée d'air qui y est fixée, sont correctement installés sur le dessus du couvercle.

D) Insérer l'écumoire dans l'ouverture correspondante à l'arrière de l'aquarium.

Lorsque l'écumoire est installée dans l'aquarium, brancher la fiche du cordon d'alimentation dans la prise de courant. Créer une boucle d'égouttement dans le cordon d'alimentation pour assurer un fonctionnement sûr. Faire fonctionner l'écumoire pendant quelques minutes avant d'apporter tout réglage. La roue à 32 aiguilles (impulseur) mélangera l'air et l'eau afin de créer des bulles qui formeront de la mousse. Après quelques minutes, tourner la vanne de réglage du niveau d'eau pour augmenter ou diminuer la production de mousse dans le contenant collecteur.

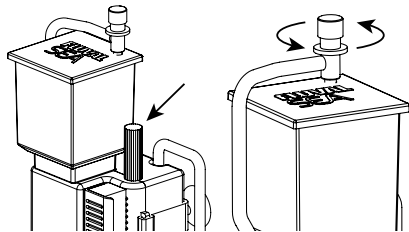
NOTICE D'UTILISATION

NOTE : Les instructions portant sur la façon de régler le niveau d'eau et le débit d'air sont seulement fournies à titre indicatif, dans le but de mettre l'écumoire en marche. Il vous incombe ensuite de régler le système pour qu'il convienne le mieux possible à l'aquarium utilisé.

IMPORTANT : L'écumoire doit fonctionner au moins de trois à sept jours avant qu'il commence à y avoir assez de mousse et que le réglage soit définitif.

1. Réglage du niveau d'eau : Tourner la vanne de réglage du niveau d'eau afin d'augmenter le niveau d'eau dans le puits de l'impulseur selon le type de mousse désiré (écumage).

2. Régulation de l'air : Le débit d'air peut être réglé en réglant la soupape d'entrée d'air. La régulation de l'air est très importante et varie selon la densité de la population d'un aquarium, le type de mousse désiré, etc. L'écumoire de protéines Mini Fluval Sea est conçue pour fonctionner avec la soupape d'entrée d'air entièrement ouverte, afin d'optimiser le rapport entre le volume d'air, le puits de l'impulseur et la quantité d'eau épurée.



(vanne de réglage du niveau d'eau) (soupape d'entrée d'air)

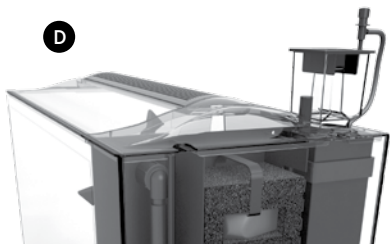
Écumage sec :

- Pour les aquariums densément peuplés ou pour une mousse ou une écume foncée, tourner la vanne de réglage du niveau d'eau afin de ne permettre qu'une quantité minimale d'eau dans l'écumoire. L'écumage sec produit un petit volume de mousse sèche (écume) contenant des déchets foncés et concentrés.

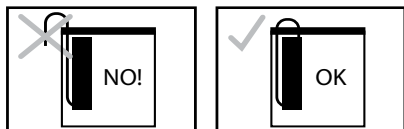
Écumage humide :

- Pour les aquariums dont l'approvisionnement est normal ou pour une mousse ou une écume pâle, tourner la vanne de réglage du niveau d'eau afin de permettre une grande quantité d'eau dans l'écumoire. L'écumage humide produit un grand volume d'écume humide contenant des déchets pâles et dilués.

Attention : Il est recommandé de régler progressivement l'entrée d'air et le niveau d'eau. Chaque réglage nécessite quelques heures d'attente afin de vérifier si la production de mousse convient aux besoins de l'aquarium. Refaire ce processus jusqu'à l'obtention des paramètres désirés.



Contenant collecteur : Seulement faire fonctionner l'écumoire de protéines Fluval Sea si le couvercle et la soupape d'entrée d'air sont placés correctement. Le tube à air doit toujours être placé correctement sur le contenant collecteur et ne doit jamais pendre à l'extérieur de l'aquarium afin d'éviter le drainage de l'aquarium même.



ENTRETIEN

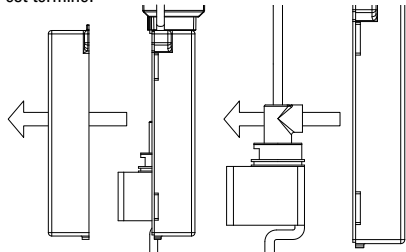
ATTENTION : Avant de se mettre les mains dans l'aquarium, toujours débrancher tous les appareils électriques immergés dans l'eau. Un nettoyage et un entretien réguliers de l'écumoire et de la pompe assurent la bonne performance et la longue durée de l'appareil. Afin d'éviter de raccourcir la durée de vie de la pompe, suivre ces simples procédures d'entretien.

AVERTISSEMENT : Avant de retirer l'écumoire de l'aquarium, vider le contenant collecteur pour empêcher les déchets de tomber accidentellement dans l'aquarium.

- Vérifier le contenant collecteur et le nettoyer régulièrement.

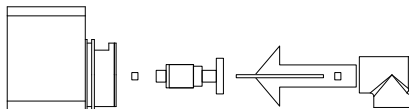
- Nettoyer périodiquement l'intérieur de l'écumoire avec de l'eau pour enlever toute trace d'algues. Utiliser, seulement au besoin, une solution de 20 % de vinaigre pour enlever les algues ou les résidus de calcium (qui pourraient empêcher la production de mousse).

- Le boîtier de l'écumoire est constitué de deux parties qui se séparent pour un nettoyage facile. Retirer les supports clipables de fixation du boîtier pour séparer les deux parties. Afin de faciliter le nettoyage, retirer également le cordon électrique et le tube à air du boîtier arrière. Assembler le tout de nouveau lorsque l'entretien est terminé.



- Nettoyer le tube à air et la soupape d'entrée d'air régulièrement ou lorsque le débit d'air diminue (du calcium, du sel ou des résidus de poussière pourraient les bloquer).

- Il faut faire particulièrement attention lorsque vient le temps de nettoyer la pompe. Un entretien adéquat signifie que l'impulseur durera longtemps et que l'appareil sera peu bruyant. Des résidus de calcium pourraient se former entre l'arbre et l'impulseur, ainsi que dans le puits de l'impulseur. Ces résidus peuvent causer de la friction, du surchauffage et de l'usure prématurée, et ainsi empêcher les pièces de fonctionner correctement. Pour cette raison, et en cas de dépôts de calcium, faire tremper les pièces dans une solution de 20 % de vinaigre pendant trente minutes, puis bien les rincer.



DÉPANNAGE

Note : Certaines variables risquent de nuire à l'écumage, notamment :

- L'ajout de nouveaux poissons
- Un nourrissage fréquent
- Un changement de la composition chimique de l'eau
- Les suppléments et les médicaments
- La qualité de l'eau
- Les fluctuations et l'évaporation de l'eau
- Les changements d'eau
- L'entretien

1. Aucune bulle n'est produite dans le puits de l'impulseur de l'écumoire :

- S'assurer que la soupape d'entrée d'air n'est pas ouverte et que le tube d'air n'est pas fixé à la pompe.
- Vérifier si l'entrée d'eau est obstruée.
- Vérifier si la pompe et la roue à 32 aiguilles (impulseur) sont bloquées.
- Vérifier si l'écumoire est branchée.

2. Aucune mousse n'est produite dans le contenant collecteur :

- Vérifier le débit d'air et, au besoin, l'augmenter ou le mettre au maximum.
- Régler le niveau de l'eau dans l'écumoire. Si le niveau de l'eau est bon, il est possible que l'absence de mousse soit normale, pendant de courtes périodes de temps, puisqu'il n'y a aucun résidu à épurer ou à enlever.

3. Pompe qui ne fonctionne pas :

- S'assurer que le courant nécessaire est fourni et que l'appareil est branché.
- Vérifier si de la saleté ou des débris sont pris dans l'impulseur.

4. Pompe bruyante :

- S'assurer que la pompe n'a pas été endommagée et que l'appareil est assemblé correctement.
- Nettoyer l'appareil en suivant les instructions de la section Entretien.

GARANTIE

L'écumoire de protéines Mini Fluval Sea est garantie contre tout défaut de matériaux et de fabrication pour une période de deux (2) ans, dans les conditions normales d'utilisation et d'entretien d'un aquarium. La garantie de deux (2) ans s'applique à toutes les pièces non remplaçables, ce qui signifie que l'écumoire de protéines sera réparée ou remplacée sans frais, à la discrétion du fabricant, lorsque l'écumoire complète sera retournée, port payé et accompagnée d'une preuve d'achat. Cette garantie ne s'applique à aucune écumoire de protéines utilisée de façon inappropriée, avec négligence, ayant été modifiée ou ayant fait l'objet d'une utilisation commerciale. Le fabricant ne peut être tenu responsable des pertes d'animaux ou des dommages causés aux biens personnels, quelle qu'en soit la raison.

SERVICE DE RÉPARATIONS AUTORISÉ SOUS GARANTIE :

Pour le service de réparations autorisé sous garantie, veuillez retourner l'article (bien emballé et par courrier recommandé) à l'adresse indiquée ci-dessous, accompagné d'un reçu daté et d'une note expliquant la raison du retour. Si vous avez des questions ou des commentaires au sujet du fonctionnement de cet appareil, veuillez nous permettre de vous aider avant de le retourner à votre détaillant. La plupart des problèmes peuvent être résolus rapidement par un appel téléphonique. Lorsque vous nous téléphonez (ou écrivez), veuillez avoir en main tous les renseignements pertinents tels que le numéro de modèle, l'âge du produit, les détails sur l'aménagement de l'aquarium ainsi que des précisions sur le problème. **Cette garantie ne porte pas atteinte à vos droits prévus par la loi.**

CANADA : Rolf C. Hagen inc., Service à la clientèle, 20500, aut. Transcanadienne, Baie-D'Urfé (Québec) H9X 0A2

FRANCE : Rolf C. Hagen (France) SA., Parisud 4, boulevard Jean Monnet, F-77388 Combs-la-Ville

POUR NOUS JOINDRE AU NUMÉRO SANS FRAIS

Canada seulement : 1 800 554-2436 entre 9 h et 16 h 30 HNE. Demandez le Service à la clientèle.



RECYCLAGE : Cet article porte le marquage de la collecte sélective des déchets d'équipements électriques et électroniques (DEEE), ce qui signifie qu'on doit éliminer ce produit conformément à la directive européenne 2012/19/EU afin de le recycler ou de le désassembler pour minimiser ses répercussions sur

l'environnement. Vérifier auprès d'agences locales pour l'environnement afin d'obtenir les instructions relatives à l'élimination des déchets ou apporter l'article au point de collecte agréé d'un conseil officiel reconnu. Les produits électroniques non compris dans le processus de collecte sélective sont potentiellement dangereux pour l'environnement et la santé humaine en raison de la présence de substances dangereuses.

ADVERTENCIA DE MEDIDAS DE SEGURIDAD IMPORTANTES:

PARA EVITAR LESIONES, se deben tener en cuenta las precauciones básicas de seguridad, incluidas las que se detallan a continuación.

1. LEA Y CUMPLA CON TODAS LAS MEDIDAS DE SEGURIDAD y las advertencias importantes que figuran en el aparato antes de usarlo. De lo contrario, este equipo puede dañarse.

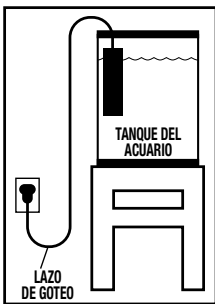
2. PELIGRO: Para evitar una posible descarga eléctrica, se debe tener especial cuidado, ya que se manipula agua al usar el equipo del acuario. En las situaciones que se describen a continuación, no intente hacer una reparación usted mismo; lleve el aparato a un centro autorizado que provea los servicios necesarios, o deséchelo.

A. Si el aparato presenta indicios de una pérdida irregular de agua, o si el RCD (dispositivo de corriente residual) o el GFCI (interruptor accionado por corriente de pérdida a tierra) se apagan, desconecte el cable de la fuente de alimentación del suministro eléctrico y retire el recogedor del agua.

B. Inspeccione cuidadosamente el aparato una vez instalado. No se debe enchufar si hay agua en las piezas que no están diseñadas para estar mojadas.

C. No utilice ningún aparato que tenga un cable o un enchufe dañados, que no funcione correctamente o que se haya caído o dañado de alguna manera. El cable de alimentación de este aparato no se puede cambiar; si se daña, deberá desechar el aparato. Nunca corte el cable.

D. Para evitar que el enchufe o el tomacorriente se mojen, coloque el aparato al costado de un tomacorriente de pared, con el fin de evitar que el agua gotee en el tomacorriente o el enchufe. El usuario debe utilizar un "lazo de goteo" (ver ilustración 1) en el cable que conecta el aparato al tomacorriente. El "lazo de goteo" es la parte del cable que



está por debajo del nivel del tomacorriente, o el conector si se usa un cable de extensión, para evitar que el agua resbale por el cable y entre en contacto con el tomacorriente. Si el enchufe o el tomacorriente se mojan, NO desenchufe el cable. Desconecte el fusible o el interruptor que proporciona la alimentación al aparato. A continuación, desenchufe el cable y verifique si hay agua en el tomacorriente.

3. ADVERTENCIA: Es necesario que tenga mucho cuidado cuando los niños usen cualquier tipo de aparato o se encuentren cerca de este. Este aparato no debe ser usado por personas (incluidos los niños) con capacidades físicas, sensoriales o mentales reducidas, o personas sin experiencia ni conocimiento, a menos que sean supervisadas o hayan recibido instrucciones sobre el uso del aparato de parte de una persona responsable de su seguridad. Se debe supervisar a los niños para impedir que jueguen con el aparato.

4. Para evitar lesiones, no toque las piezas móviles ni las calientes.

5. PRECAUCIÓN: Siempre desenchufe o desconecte todos los aparatos que están dentro del acuario antes de colocar las manos en el agua o antes de agregar o quitar piezas, o mientras instala, manipula o hace el mantenimiento del equipo. Cuando coloque el recogedor en el agua o lo retire de ella, siempre desconecte el enchufe eléctrico principal. Nunca tire con fuerza del cable para quitar el enchufe del tomacorriente. Tome el enchufe y tire para desconectarlo. Siempre desenchufe el aparato cuando no lo utilice.

6. Este es un recogedor para acuarios. No lo use con otra función para la que no fue destinado (p. ej.: no lo utilice en piscinas, baños, etc.). El uso de accesorios no recomendados o no vendidos por el fabricante del aparato puede crear condiciones de uso peligrosas.

- No use este recogedor en piscinas u otros lugares donde se sumerja gente.

- Este recogedor es apto para uso en agua con una temperatura hasta 35 °C.

- No use este recogedor con líquidos inflamables o potables.

7. Este recogedor es apto para uso **DOMÉSTICO** o EN INTERIORES únicamente. No instale ni guarde el aparato en lugares expuestos a la intemperie o a temperaturas bajo cero.

8. Asegúrese de que el recogedor esté bien instalado antes de utilizarlo. No permita que el recogedor funcione sin agua. El recogedor debe estar completamente sumergido en el agua. Nunca debe utilizarse fuera de ella.

9. ADVERTENCIA: Para el mercado de Norteamérica únicamente. Este aparato cuenta con un enchufe polarizado (una clavija es más ancha que las otras). Como función de seguridad, este enchufe entrará por completo en el tomacorriente polarizado de una única forma. Si no entra por completo, dé vuelta el enchufe. Si de esta manera tampoco entra, comuníquese con un electricista calificado. Nunca use el aparato con un cable de extensión a menos que el enchufe entre por completo. No intente anular esta función de seguridad.

10. Si es necesario usar un cable de extensión, procure que tenga el calibre adecuado. Un cable para un amperaje o vataje inferior al del aparato puede sobrecalentarse. Se debe tener cuidado al colocar el

cable para que nadie se tropiece con él ni lo desenchufe. La conexión deberá realizarla un electricista calificado.

11. GUARDE ESTAS INSTRUCCIONES:

Para usar este producto y entender su funcionamiento completamente, se recomienda leer y comprender todo el manual. De lo contrario, este producto puede dañarse.

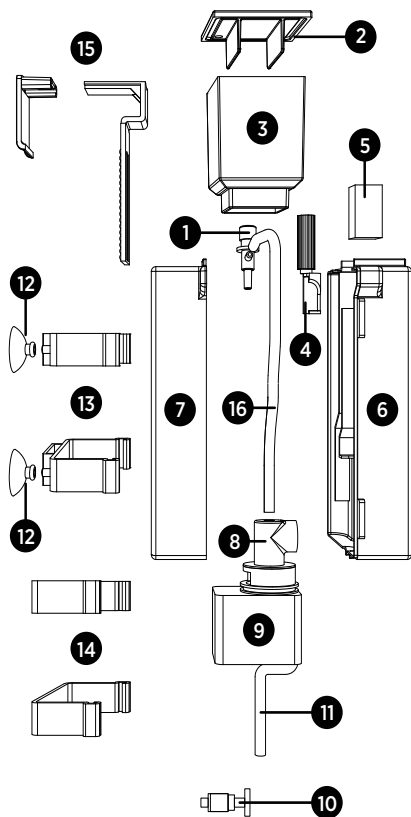
INTRODUCCIÓN

El recogedor de proteínas Fluval Sea Mini es para uso en acuarios con una capacidad de 20 a 80 l (de 5 a 20 gal. EUA). El recogedor de proteínas ayuda a eliminar compuestos orgánicos disueltos, incluidos proteínas y aminoácidos, antes de que se descompongan y formen residuos de nitrógeno que pueden ser nocivos para los habitantes del acuario. Los resultados: una mayor oxigenación y un acuario saludable. El recogedor de proteínas Fluval Sea Mini está diseñado para extraerse fácilmente y lograr un mantenimiento rápido y simple.

(Nota: Este recogedor no está hecho para utilizarse como repuesto del sistema filtrante para acuarios de agua dulce y de arrecife).

DESCRIPCIÓN DE LAS PARTES

1. Válvula de entrada de aire
2. Tapa de la taza recolectora
3. Taza recolectora
4. Válvula de control del nivel de agua
5. Trampa para burbujas de espuma
6. Carcasa delantera
7. Carcasa trasera
8. Tapa del impulsor
9. Bomba
10. Impulsor
11. Cable de alimentación
12. Ventosa de succión (4)
13. Presilla de carcasa para opciones de montaje (2)
14. Presilla de carcasa (2)
15. Soporte de anclaje
16. Tubo de entrada de aire



ESPECIFICACIONES TÉCNICAS

Capacidad del acuario:	20-80 L (5-20 gal EUA)
Dimensiones:	8 cm x 8 cm x 26 cm (3 pulg. x 3 pulg. x 10 pulg.)
Dimensiones de la taza recolectora:	5 cm long. x 5 cm an. x 7,5 cm al. (2 pulg. x 2 pulg. x 3 pulg.)
Volumen de la taza recolectora:	0,19 l (6,4 onzas)
Vataje de la bomba	8 W
Cord Length :	1,8 m (5,9 pies)
Espacio mínimo sobre la línea de agua:	9,5 cm (3,75 pulg.)

INFORMACIÓN DE SEGURIDAD

ATENCIÓN: Compruebe que ningún componente del recogedor presente daños antes de ponerlo en funcionamiento. SIEMPRE desconecte el suministro eléctrico del recogedor y de cualquier otro aparato que esté en el agua antes de realizar cualquier tipo de mantenimiento. Procure que el voltaje de la fuente de alimentación principal corresponda al voltaje que figura en la etiqueta del aparato.

- La bomba está diseñada para uso en interiores únicamente, en agua con una temperatura máxima de 35 °C (95 °F).
- **NO PERMITA QUE FUNCIONE SIN AGUA:** No conecte la bomba a la fuente de alimentación eléctrica si no está completamente sumergida en agua.
- No la conecte si le faltan piezas.
- El cable de esta bomba no se puede reemplazar ni reparar; en caso de que este se dañe, la unidad completa debe desecharse.
- No corte el cable eléctrico ni tire de él.
- Siempre desconéctelo de la fuente de alimentación principal con cuidado y procure tener las manos secas.
- Para evitar cualquier peligro de descarga eléctrica, recuerde siempre mantener todas las conexiones secas.
- Compruebe que la fuente de alimentación principal esté seca, que no esté húmeda ni posea depósitos de sal.
- Guarde estas instrucciones en un lugar seguro y seco para consultarlas en el futuro.

INSTRUCCIONES DE INSTALACIÓN

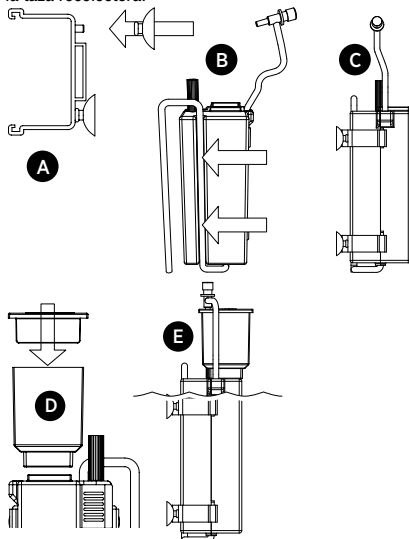
El recogedor Fluval Sea Mini está diseñado para colocarse dentro del acuario con las presillas de carcasa de carcasa de las ventosas y el soporte de anclaje.

Opción n.º 1: Presillas de carcasa para opciones de montaje

- Adhiera las ventosas a las presillas de carcasa.
- Asegúrese de que el cable de alimentación esté dirigido hacia el canal integrado en la carcasa trasera.
- Deslice las presillas de carcasa sobre la carcasa trasera y asegure las presillas a la carcasa delantera.
- Coloque la taza recolectora en la parte superior del recogedor y cúbrala con la tapa. Asegúrese de que el tubo de entrada de aire (con la válvula de entrada de aire) esté instalado correctamente en la parte superior de la tapa.
- Instale el recogedor en el acuario de modo que el nivel del agua se encuentre justo por debajo de la parte superior de la carcasa.

Luego de colocar el recogedor en el acuario, enchufe el cable de alimentación al tomacorriente. Asegúrese de crear un lazo de goteo en el cable de alimentación para

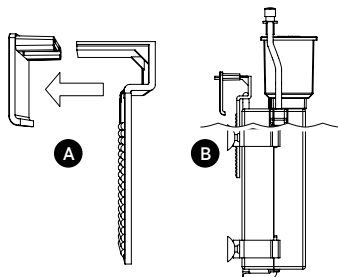
un funcionamiento seguro. Deje funcionar el recogedor durante unos minutos antes de realizar algún ajuste. El impulsor de rueda de 32 agujas mezclará el aire y el agua para crear burbujas (espuma). Luego de unos minutos, encienda la válvula de control del nivel de agua para aumentar o disminuir el nivel de espuma en la taza recolectora.



Opción n.º 2: Soporte y abrazadera de anclaje

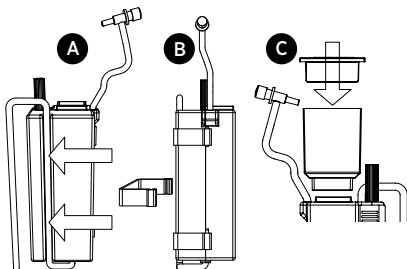
Siga las instrucciones de instalación como en la Opción n.º 1: Presillas de carcasa para opciones de montaje.

- Deslice la abrazadera de anclaje sobre el soporte de anclaje. La posición de la abrazadera de anclaje debe ajustarse para que se adapte al ancho del marco superior del acuario.
- Deslice el soporte de anclaje por la presilla de carcasa. Ajuste la altura del soporte de anclaje para colocar el recogedor correctamente dentro del acuario.



INSTRUCCIONES DE INSTALACIÓN: ACUARIO EVO 12

Se recomienda que el recogedor de proteínas Fluvial Sea Mini se utilice en el acuario Fluvial Sea Evo 12. Su tamaño compacto le permite adaptarse con comodidad a la ranura designada del recogedor, ubicada en la parte de atrás del acuario. Para instalar el acuario EVO 12, utilice las presillas de carcasa especialmente diseñadas (sin ventosas).



A) Asegúrese de que el cable de alimentación esté dirigido hacia el canal integrado en la carcasa trasera.

B) Deslice las presillas de carcasa sobre la carcasa trasera y asegure las presillas a la carcasa delantera.

C) Coloque la taza recolectora en la parte superior del recogedor y cúbrala con la tapa. Asegúrese de que el tubo de entrada de aire (con la válvula de entrada de aire) esté instalado correctamente en la parte superior de la tapa.

D) Instale el recogedor en la ranura designada en la parte de atrás del acuario.

Luego de colocar el recogedor en el acuario, enchufe el cable de alimentación al tomacorriente. Asegúrese de crear un lazo de goteo en el cable de alimentación para un funcionamiento seguro. Deje funcionar el recogedor durante unos minutos antes de realizar algún ajuste. El impulsor de rueda de 32 agujas mezclará el aire y el agua para crear burbujas (espuma). Luego de unos minutos, encienda la válvula de control del nivel de agua para aumentar o disminuir el nivel de espuma en la taza recolectora.

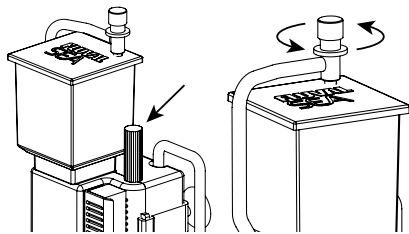
INSTRUCCIONES DE FUNCIONAMIENTO

NOTA: Las siguientes instrucciones sobre cómo regular el nivel del agua y el flujo de aire solo proveen indicaciones para la puesta en marcha del recogedor. Luego dependerá de usted configurar el sistema para que se adapte mejor a su acuario.

IMPORTANTE: El recogedor necesita funcionar, como mínimo, de tres a siete días antes de que comience a generar espuma adecuadamente y finalice la configuración.

1. Ajustes del nivel del agua: Encienda la válvula de control del nivel de agua para aumentar el nivel del agua dentro de la cámara de reacción y obtener el tipo de espuma (recolección) deseado.

2. Regulación del aire: el flujo de aire se puede regular ajustando la válvula de entrada de aire. La regulación del aire es muy importante, y depende de la cantidad de peces en el acuario, el tipo de espuma deseado, etc. El recogedor de proteínas Fluvial Sea Mini está diseñado para funcionar con la válvula de entrada de aire completamente abierta para optimizar la relación entre el volumen de aire, la cámara de reacción y la cantidad de agua recogida.



(válvula de control del nivel de agua) (Válvula de entrada de aire)

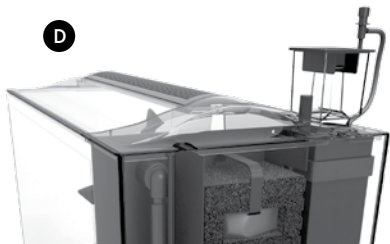
Recolección con poca agua (en seco):

- Para acuarios muy poblados o para una recolección/espuma oscura, ajuste la válvula de control del nivel de agua para que ingrese la mínima cantidad de agua posible en el recogedor. La recolección en seco produce espuma seca con residuos oscuros y concentrados (menos volumen).

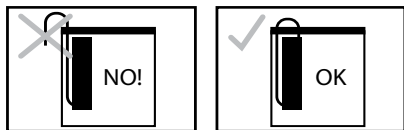
Recolección con más agua (húmeda):

- Para acuarios con una cantidad de peces o para una recolección/espuma clara, ajuste la válvula de control del nivel de agua para que ingrese más cantidad de agua en el recogedor. La recolección húmeda produce espuma húmeda con desechos claros y diluidos (más volumen).

Atención: Se recomienda aumentar de a poco la entrada de aire y el nivel del agua. Para cada ajuste, deberán pasar un par de horas antes de poder comprobar que el nivel de espuma es el deseado. Repita este proceso hasta alcanzar los valores deseados.



Taza recolectora: Siempre haga funcionar el recogedor con la tapa y el tubo de entrada de aire en la posición correcta. El tubo de aire siempre de estar en la posición correcta en la taza de recolección, y nunca debe colgar al costado del acuario, para evitar que el acuario se vacíe.

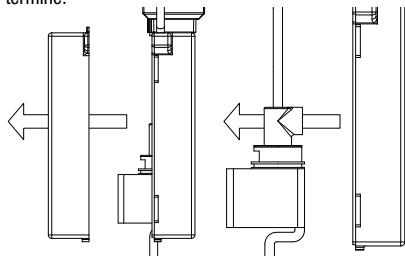


MANTENIMIENTO

ATENCIÓN: Antes de colocar las manos en el agua, siempre desenchufe de la fuente de alimentación principal todos los aparatos que están dentro del acuario. Una limpieza y un mantenimiento periódicos del recogedor y de la bomba de espuma garantizarán un mejor rendimiento y una mayor durabilidad. Para evitar reducir la vida útil de la bomba, respete los siguientes procedimientos de mantenimiento simples.

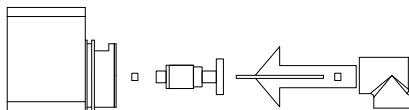
ADVERTENCIA: Antes de quitar el recogedor de la instalación, vacíe la taza de recolección para evitar que los desechos caigan accidentalmente dentro del acuario.

- Verifique la taza de recolección y límpiela con asiduidad.
- Limpie el interior del recogedor periódicamente con agua para eliminar cualquier rastro de algas. Solo si es necesario, use una solución de 20 % de vinagre para eliminar residuos de algas o calcio (que pueden evitar la formación de espuma).
- La carcasa del recogedor de proteínas consiste en dos partes que vienen separadas para poder limpiarlas con facilidad. Quite las presillas de carcasa para separar las dos partes. Quite la bomba, el cable eléctrico y la manguera de aire de la carcasa trasera para facilitar la limpieza. Vuelva a colocar las piezas en su lugar cuando termine.



- Limpie el tubo de entrada de aire y la válvula de entrada de aire regularmente, o cuando el flujo del aire disminuya (pueden quedar bloqueados por residuos de calcio, sal o polvillo).

- Debe prestar especial atención al limpiar la bomba. Un correcto mantenimiento garantizará la durabilidad del impulsor y un funcionamiento más silencioso. Pueden formarse residuos de calcio entre el eje y el impulsor, y en la cámara del impulsor. Estos residuos pueden causar fricción, recalentamiento y desgaste prematuro, que puede comprometer los componentes y causar un funcionamiento incorrecto. Por este motivo, y en caso de precipitación de calcio, remoje los componentes en una solución de 20 % de vinagre durante 30 minutos; luego, enjuáguelos minuciosamente.



SUGERENCIAS PARA LA SOLUCIÓN DE PROBLEMAS

Nota: Entre las variables que pueden afectar la recolección en seco o húmeda se encuentran las siguientes:

- la incorporación de peces nuevos;
- la alimentación frecuente;
- cambios en la composición química del agua;
- suplementos y medicamentos;
- la calidad del agua;
- fluctuaciones del agua y evaporación;
- los cambios de agua y
- el mantenimiento.

1. No se producen burbujas dentro del recogedor (cámara de reacción):

- La válvula de entrada de aire no está abierta o la manguera de aire no está adherida a la bomba.
- La entrada de agua está obstruida.
- La bomba o el impulsor de rueda de agujas está obstruido.
- El recogedor no está enchufado.

2. No se produce espuma dentro de la taza recolectora:

- Verifique el flujo de aire y, en caso de que fuera necesario, aumentelo o ábralo por completo.
- Ajuste el nivel del agua dentro del recogedor. Si el nivel del agua es el adecuado, es normal que no haya espuma, ya que no hay residuos para recoger y limpiar. Por este motivo es posible que, por períodos cortos, no se produzca espuma.

3. La bomba no funciona:

- Verifique que el aparato reciba energía o que esté enchufado a la fuente de alimentación.
- Verifique que el impulsor no tenga suciedad ni desechos.

4. La bomba hace mucho ruido:

- Asegúrese de que la bomba no esté dañada.
Verifique que esté correctamente ensamblada.
- Limpie la bomba según los procedimientos mencionados en la sección de mantenimiento.

GARANTÍA

El recogedor de proteínas Fluval Sea Mini está garantizado contra defectos de materiales o mano de obra en condiciones de uso normal del acuario y servicio por 2 años. Ofrecemos una garantía de 2 años para las piezas no sustituibles, lo que significa que el recogedor será reparado o reemplazado según el criterio del fabricante, sin costo alguno, cuando devuelva el recogedor completo con el comprobante de compra y el pago del envío. Esta garantía no se aplica a ningún recogedor que haya sido sometido a uso indebido, negligencia o maltrato, o uso comercial. No se asume ninguna responsabilidad en relación con la pérdida o los daños de los animales de cría o de la propiedad personal, independientemente de qué los ocasione.

Esto no afecta sus derechos establecidos por ley.

PARA OBTENER EL SERVICIO DE REPARACIÓN AUTORIZADO CON GARANTÍA:

Para acceder al servicio de garantía autorizado, devuelva el dispositivo (bien envuelto y por correo certificado) a la siguiente dirección, con la factura fechada y el motivo de la devolución. Si tiene alguna consulta o comentarios acerca del funcionamiento de este producto, permítanos ayudarlo antes de devolverlo a su vendedor. La mayoría de las consultas puede resolverse inmediatamente mediante una llamada. Cuando llame (o escriba), tenga lista toda la información importante, como el número del modelo, la antigüedad del producto, los detalles del ensamble del acuario y la naturaleza del problema.

EE. UU.: ROLF C. HAGEN (U.S.A.) CORP.,

305 Forbes Blvd, Mansfield, MA. 02048

ESPAÑA: ROLF C. HAGEN ESPAÑA S.A.,

Av De Beniparrell n. 11 y 13, 46460 Silla, Valencia

LLÁMENOS A NUESTRO NÚMERO SIN CARGO AL:

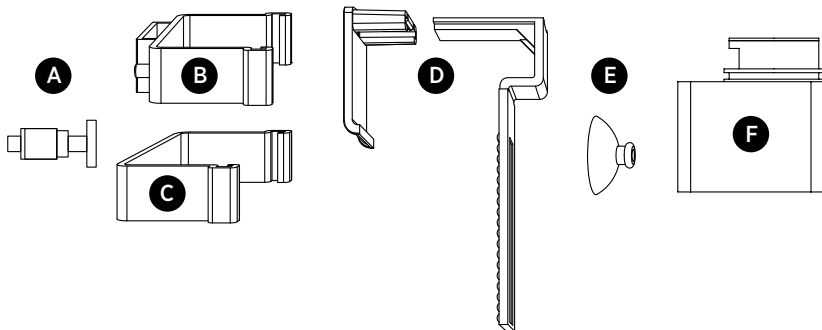
Solo para EE. UU.: 1-800-724-2436, entre las 9:00 a. m. y las 4:00 p. m., hora del Este estándar. Solicite hablar con Servicio a la clientela.



RECICLAJE: Este producto lleva el símbolo de clasificación selectiva para residuos de aparatos eléctricos y electrónicos (WEEE).

Esto significa que este producto debe manipularse según la Directiva Europea 2012/19/EU para ser reciclado o desmantelado para disminuir el impacto ambiental. Consulte con una agencia ambiental local para recibir instrucciones sobre posibles modos de desecho o llévelo a un punto de recolección de residuos oficial registrado. Los productos electrónicos que no son parte de este proceso selectivo son considerados potencialmente riesgosos para la salud humana y el medio ambiente debido a la presencia de sustancias peligrosas.

REPLACEMENT PARTS • ERSATZTEILE • PIÈCES DE RECHANGE • PIEZAS DE REPUESTO



PART • ERSATZTEIL • PIÈCE • PIEZA	QTY • MENGE QTÉ • CANTIDAD	ITEM # • ART.-NR. NUMÉRO • NÚMERO
A Impeller • Flügelrad • Impulseur • Impulsor	1	A19085
B Housing Clip for Mounting options • Behälterclip für die Montageoptionen Support clipables de fixation du boîtier avec ventouses • Presilla de carcasa para opciones de montaje	2	A19086
C Housing Clip • Behälterclip • Support clipable • Presilla de carcasa	2	A19087
D Hanging Bracket with Lock • Halteklammer Support de montage • Soporte de anclaje	1	A19088
E Suction cups • Saugnäpfe • Ventouses • Ventosa de succión	4	A19089
F Pump • Pumpe • Pompe • Bomba	1	A19090

PS2

PROTEIN SKIMMER

EIWEISSABSCHÄUMER
ÉCUMOIRE DE PROTÉINES
RECOGEDOR DE PROTÉINAS

FLUVAL[®] SEA

MINI

20 - 80L | FOR MARINE & REEF AQUARIUMS
5-20 US GAL

 **HAGEN**
www.hagen.com



UL US
LISTED

Distributed by/Distribué par :

Canada: **Rolf C. Hagen Inc.**, Montréal (Quebec) H9X 0A2

U.S.A.: **Rolf C. Hagen (U.S.A.) Corp.**, Mansfield, MA. 02048

U.K.: **Rolf C. Hagen (U.K.) Ltd.**, Castleford, W. Yorkshire WF10 5QH

France: **Hagen France SA.**, F-77388 Combs-la-Ville

Germany: **HAGEN Deutschland GmbH & Co. KG**, 25488 Holm

Malaysia: **Rolf C. Hagen (SEA) Sdn Bhd**, 43200 Cheras, Selangor D.E.

Spain: **Rolf C. Hagen España S.A.**, Av. de Beniparrell n.11 y 13,

46460 Silla, Valencia

Argentina: **Hagen S.A. Argentina**, Benjamin Seaver 5457 B1615MRC,

Buenos Aires, Argentina

Made in China / Fabriqué en Chine

Ver: 14/15-INT